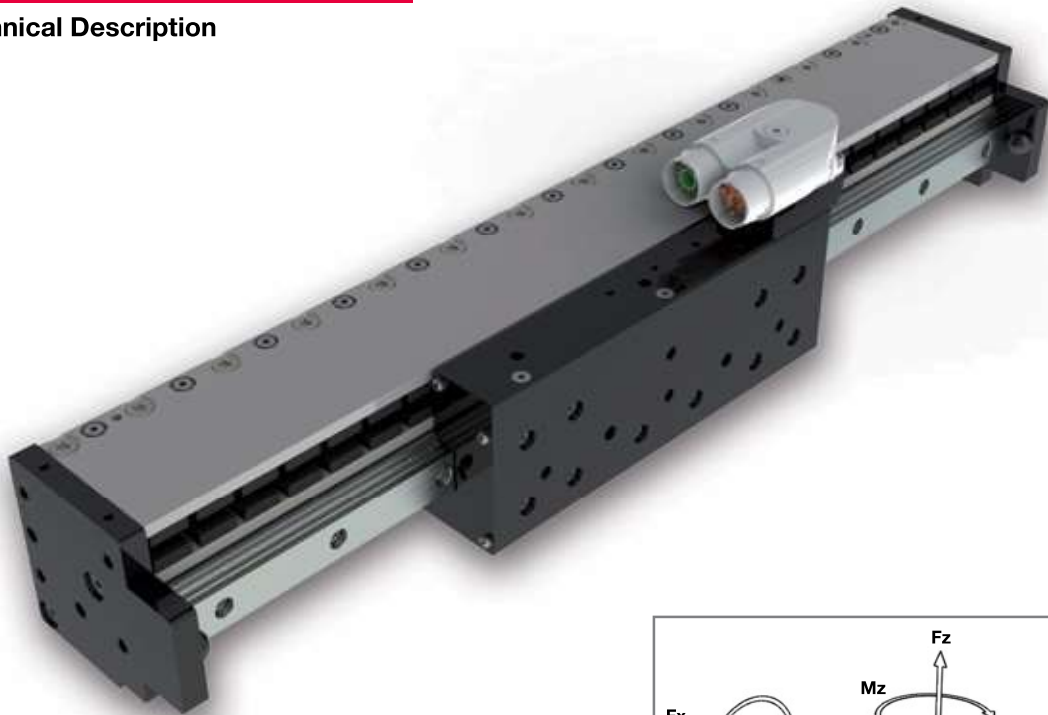


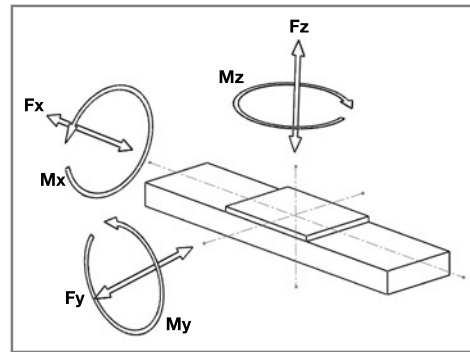


MLU 3 linear motor stages

Technical Description



Repeatability of measuring system: $\pm 1 \mu\text{m}$
 Repeatability linear unit: $\pm 10 \mu\text{m}$
 Maximum speed: 9 m/s
 Maximum acceleration: 200 m/s²
 Maximum Length without joints: up to 1.000 mm
 Operating voltage: 300Vdc
 Max. Operating voltage: 300Vdc
 For code descriptions please go to the "Order Code" on page 32



Mechanical specifications

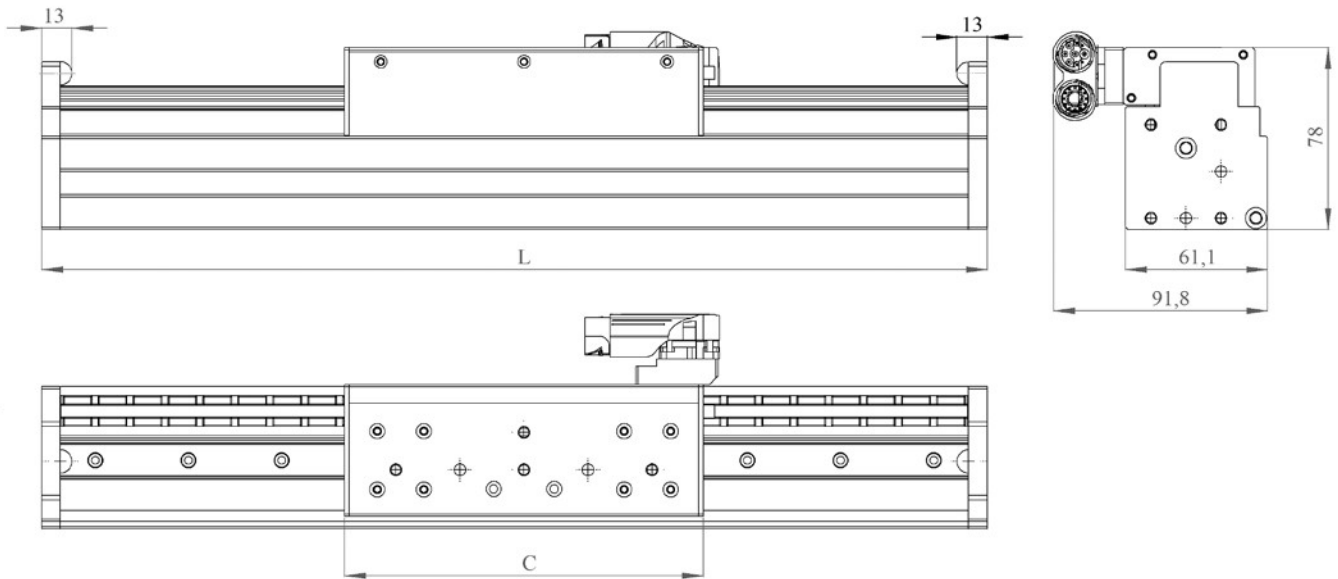
Linear motor stage		MLU30100	MLU30200		MLU30300		MLU30400		
Carriage typ		R	S	R	S	R	S	R	
Linear motor features									
Maximum speed ¹⁾	m/s				5				
Continuous force aircooled ²⁾	N	29	58		87		116		
Peak force	N	100	200		300		400		
Nominal current	A	0,8	1,6		2,4		3,2		
Peak current	A	2,8	5,5		8,3		11,0		
Guidance features									
Fy	N	520	520	520	520	520	520	750	
Fz	N	520	520	520	520	520	520	750	
Mx	Nm	15	15	15	15	15	15	25	
My	Nm	70	70	87	87	100	100	125	
Mz	Nm	70	70	87	87	100	100	125	
For the sum of all forces and moments:		$\frac{F_{ye}}{F_y} + \frac{F_{ze}}{F_z} + \frac{M_{xe}}{M_x} + \frac{M_{ye}}{M_y} + \frac{M_{ze}}{M_z} < 1$							(Xx = calculated value) (Xx = max. catalogue value)
Structure profile features									
Geometrical moments of inertia Lx	mm ⁴	1,44x10 ⁵							
Geometrical moments of inertia Ly	mm ⁴	2,42x10 ⁵							
Elastic module	N/mm ²	70000							
Weight									
Weight of carriage	kg	0,6	0,65	1,0	1,5	1,6	2	2,4	
Weight of 100 mm	kg	0,7							

¹⁾ for a lifetime > 30.000 Km

²⁾ depending on the application and ambient temperature



Dimensions MLU 3



Drawing for reference only. Please ask for ready 3D files.

Choice of stroke

Linear motor stage	MLU30100	MLU 30200		MLU 30300		MLU 30400	
Carriage typ	R	S	R	S	R	S	R
Carriage length C, mm	154	154	214	214	274	274	324

Length, mm	Code	Stroke ⁽¹⁾							
206	00206	26	26	-	-	-	-	-	-
316	00316	136	136	76	76	16	16	-	-
406	00406	226	226	166	166	106	106	56	-
466	00466	286	286	226	226	166	166	116	-
556	00556	376	376	316	316	256	256	206	-
616	00616	436	436	376	376	316	316	266	-
706	00706	526	526	466	466	406	406	356	-
766	00766	586	586	526	526	466	466	416	-
796	00796	616	616	556	556	496	496	446	-
856	00856	676	676	616	616	556	556	506	-
916	00916	736	736	676	676	616	616	566	-
946	00946	766	766	706	706	646	646	596	-
1066	01066	886	886	826	826	766	766	716	-
1096	01096	916	916	856	856	796	796	746	-
1186	01186	1006	1006	946	946	886	886	836	-
1246	01246	1066	1066	1006	1006	946	946	896	-
1336	01336	1156	1156	1096	1096	1036	1036	986	-
1486	01486	1306	1306	1246	1246	1186	1186	1136	-
1576	01576	1396	1396	1336	1336	1276	1276	1226	-
1636	01636	1456	1456	1396	1396	1336	1336	1286	-
1726	01726	1546	1546	1486	1486	1426	1426	1376	-
1876	01876	1696	1696	1636	1636	1576	1576	1526	-

¹⁾ Other stroke lengths are available under request