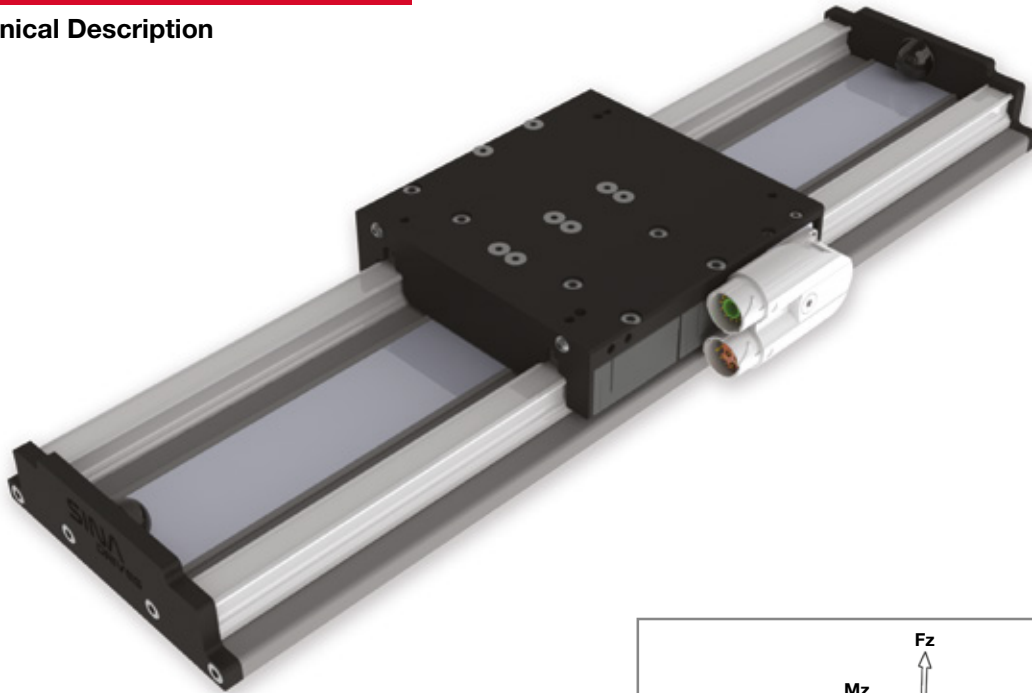


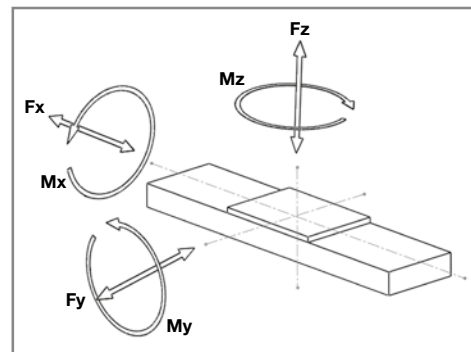


MCE 3 linear motor stages

Technical Description



Wiederholgenauigkeit Messsystem: $\pm 1 \mu\text{m}$
 Wiederholgenauigkeit Lineareinheit: $\pm 5 \mu\text{m}$
 Maximale Geschwindigkeit: 9 m/s
 Maximale Beschleunigung: 71 m/s^2
 Maximale Länge ohne Trennstellen: bis zu 6.000 mm
 Betriebsspannung: 600Vdc
 Max. Betriebsspannung: 900Vdc
 Die Beschreibung des Bestellcodes finden Sie auf Seite 33



Mechanical specifications

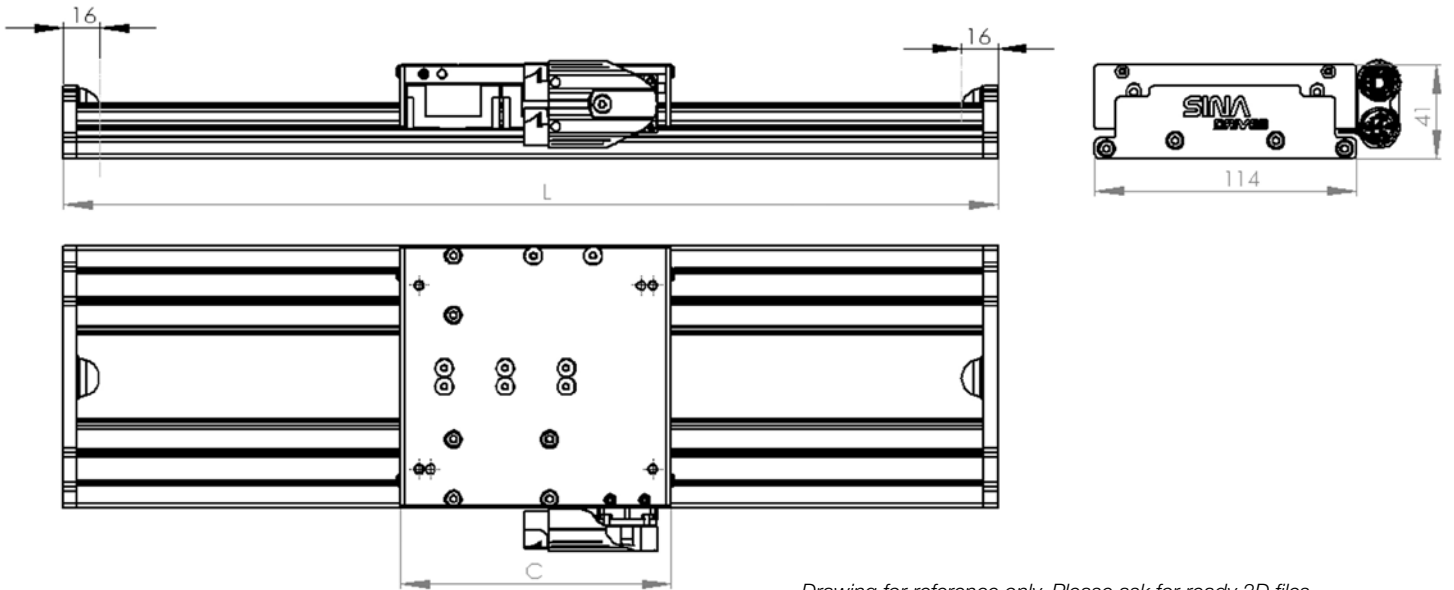
| Linear motor stage | | MCE 30100 |
|---|-------------------|---|
| Carriage typ | | S |
| Linear motor features | | |
| Maximum speed ¹⁾ | m/s | - |
| Continuous force aircooled ²⁾ | N | 28 |
| Peak force | N | 99 |
| Nominal current | A | 1,5 |
| Peak current | A | 5,8 |
| Guidance features | | |
| F _y | N | 900 |
| F _z | N | 500 |
| M _x ³⁾ | Nm | 125 |
| M _y | Nm | 200 |
| M _z | Nm | 200 |
| For the sum of all forces and moments: | | $\frac{F_{ye}}{F_y} + \frac{F_{ze}}{F_z} + \frac{M_{xe}}{M_x} + \frac{M_{ye}}{M_y} + \frac{M_{ze}}{M_z} < 1$ (Xx = calculated value) (Xx = max. catalogue value) |
| Structure profile features | | |
| Geometrical moments of inertia L _x | mm ⁴ | 0,08x10 ⁵ |
| Geometrical moments of inertia L _y | mm ⁴ | 8,44x10 ⁵ |
| Elastic module | N/mm ² | 70000 |
| Weight | | |
| Weight of carriage | kg | 1,4 |
| Weight of 100 mm | kg | 0,78 |

¹⁾ for a lifetime > 30.000 Km

²⁾ depending on the application and ambient temperature



Dimensions MCE 3



Drawing for reference only. Please ask for ready 3D files.

Choice of stroke

| | |
|-----------------------|------------------------------|
| Linear motor stage | MCE 30100 |
| Carriage typ | S |
| Carriage length C, mm | 118 |
| Length, mm | Stroke ⁽¹⁾ |
| 368 | 146 |
| 416 | 194 |
| 512 | 290 |
| 560 | 338 |
| 608 | 386 |
| 656 | 434 |
| 704 | 482 |
| 752 | 530 |
| 800 | 578 |
| 896 | 674 |
| 944 | 722 |
| 1088 | 866 |
| 1184 | 962 |
| 1328 | 1106 |
| 1472 | 1250 |
| 1568 | 1346 |
| 1712 | 1490 |
| 1856 | 1634 |
| 1952 | 1730 |
| 2096 | 1874 |
| 2240 | 2018 |
| 2336 | 2114 |
| 2480 | 2258 |
| 2624 | 2402 |
| 2720 | 2498 |
| 2864 | 2642 |
| 3008 | 2786 |
| 3104 | 2882 |
| 3248 | 3026 |
| 3392 | 3170 |
| 3488 | 3266 |

¹⁾ other stroke lengths are available under request